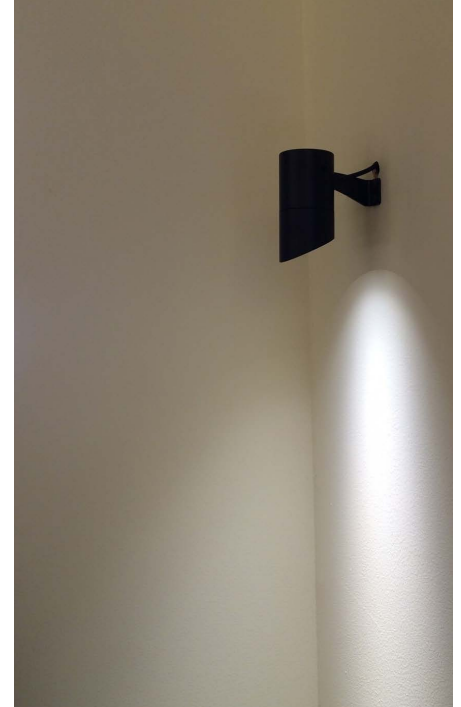


# LD10238



High Power Surface Mounted Adjustable Exterior LED Spotlight

Data sheet - Page 1



A compact, high power spotlight, with excellent output. The LD10238 has a very minimal design ensuring it will blend into most interior and exterior project styles. The use of a single optic ensures excellent beam shape and soft edge. It comes with a wide range of fixing options and accessories and is available in a choice of finishes.

## Key Features

- Low glare is achieved with a cowl, and recessing the LED and lens assembly deep within the body
- Lockable tilt adjustment
- High quality machined components
- Single optic produces a very consistent beam with no multiple shadows
- Narrow 10° spot is available for lighting columns and arches
- Surface mount base offers lockable tilt and rotation with no visible cable
- Spike accessory available for in-ground applications
- RGBW LED option uses a larger optic, for improved colour mixing (max 500mA)
- Same LED as LD151, LD150 and LD10236 for consistency through a project
- Range of finish options
- Available with Switch, 0-10V, DMX, Dali or Mains dimmable drivers



## Specification

| Applications                            |   |               |              |               |               |              |
|---|---|---------------|--------------|---------------|---------------|--------------|
| Beam Angles                             | 10°, 30°, 50°, 15°x 30°   |               |              |               |               |              |
| LED type                                | 1 x Cree MKR 4 die LED with 2 Step Easy White binning   |               |              |               |               |              |
| Colour temperature                      | 2700K / 3000K / 4000K   |               |              | 5000K         |               |              |
| Current                                 | 350mA   | 500mA         | 700mA        | 350mA         | 500mA         | 700mA        |
| LED power (Max)                         | 5W<br>(4.4W)*   | 7W<br>(6.3W)* | 10W<br>(9W)* | 5W<br>(4.4W)* | 7W<br>(6.4W)* | 10W<br>(9W)* |
| CRI (Min)                               | 85  | 85            | 85           | 80            | 80            | 80           |
| Forward voltage (V) <sub>100</sub>      | 14V   | 14V           | 14V          | 14V           | 14V           | 14V          |
| Delivered lumens (L <sub>100</sub> )**  | 345   | 469           | 584          | 369           | 502           | 625          |
| Lumens per circuit watt                 | 78  | 74            | 65           | 84            | 80            | 69           |
| LED lifetime (to 70% lumen maintenance) | 50,000hrs at a max ambient temperature of 35°C (if higher ambient then run at 500mA up to 45°C)   |               |              |               |               |              |
| Glass                                   | 3mm thick borosilicate  |               |              |               |               |              |
| Materials                               | Anodised aluminium  |               |              |               |               |              |
| Wiring                                  | Comes pre-wired with 2 core 1m lead. RGBW is a 6 core cable. IP rated connection required. Can be specified with up to 10m at extra cost. |               |              |               |               |              |
| IP rating                               | IP67  |               |              |               |               |              |

\*LED wattage includes losses associated with using an 85% efficient driver

\*\* lumen output indicated is with the 10° optic. Allow 15% less for other beam angles.

# LD10238

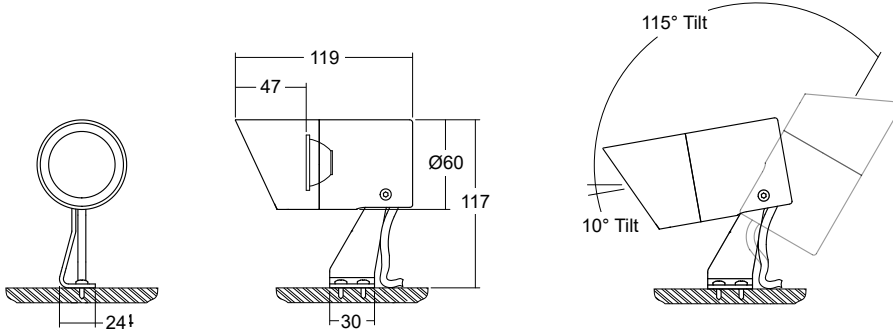


High Power Surface Mounted Adjustable Exterior LED Spotlight

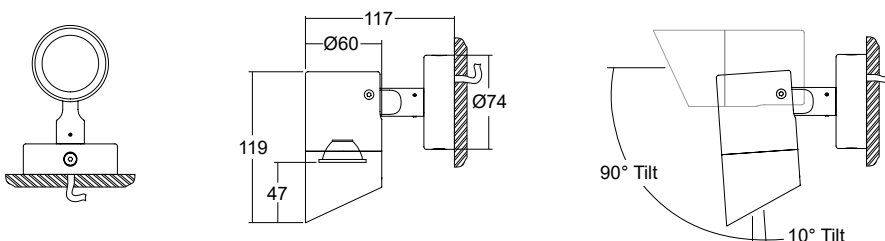
Data sheet - Page 2

## Fixing options and dimensions

**/SAM** Surface adjustable mounting is screwed to the mounting surface and allows for minor rotational adjustment. The tilt adjustment is lockable via the socket head screw on the side.



**/SMB** Surface mount base offers hidden wiring and a machined pivot arm with lockable tilt and rotation.



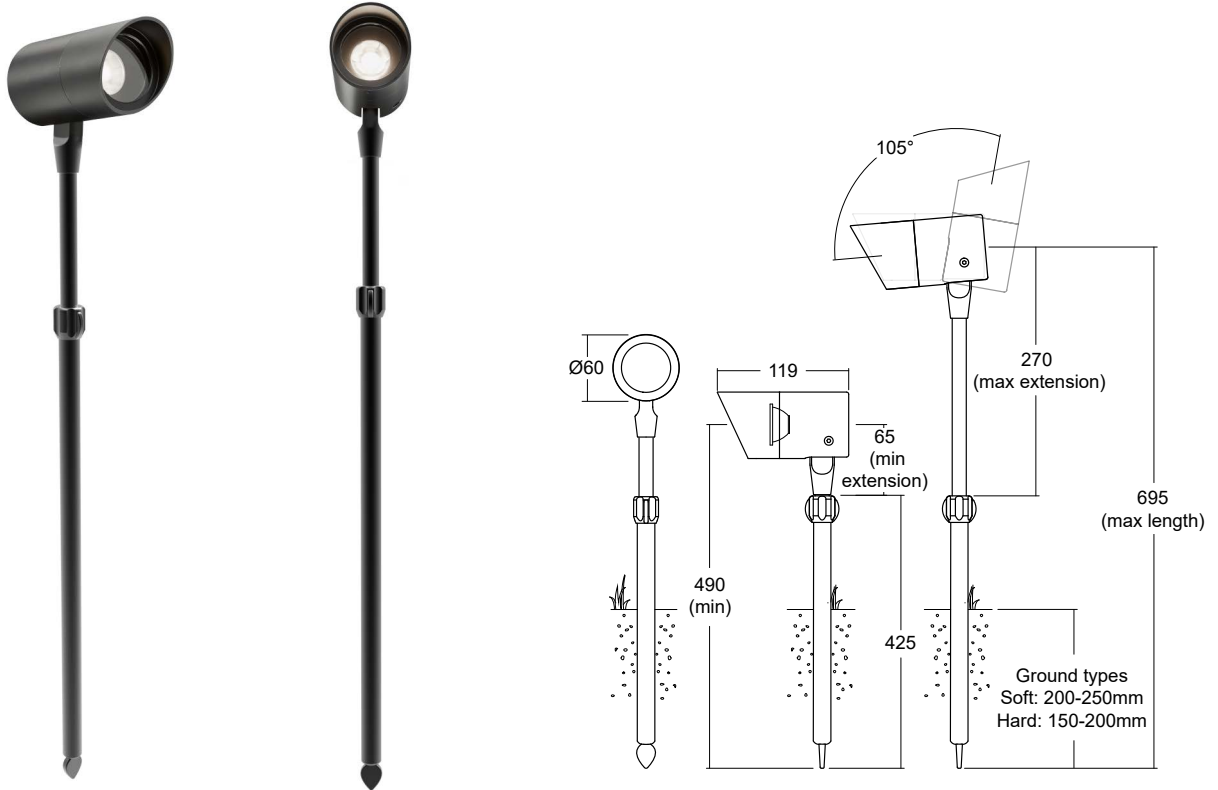
# LD10238



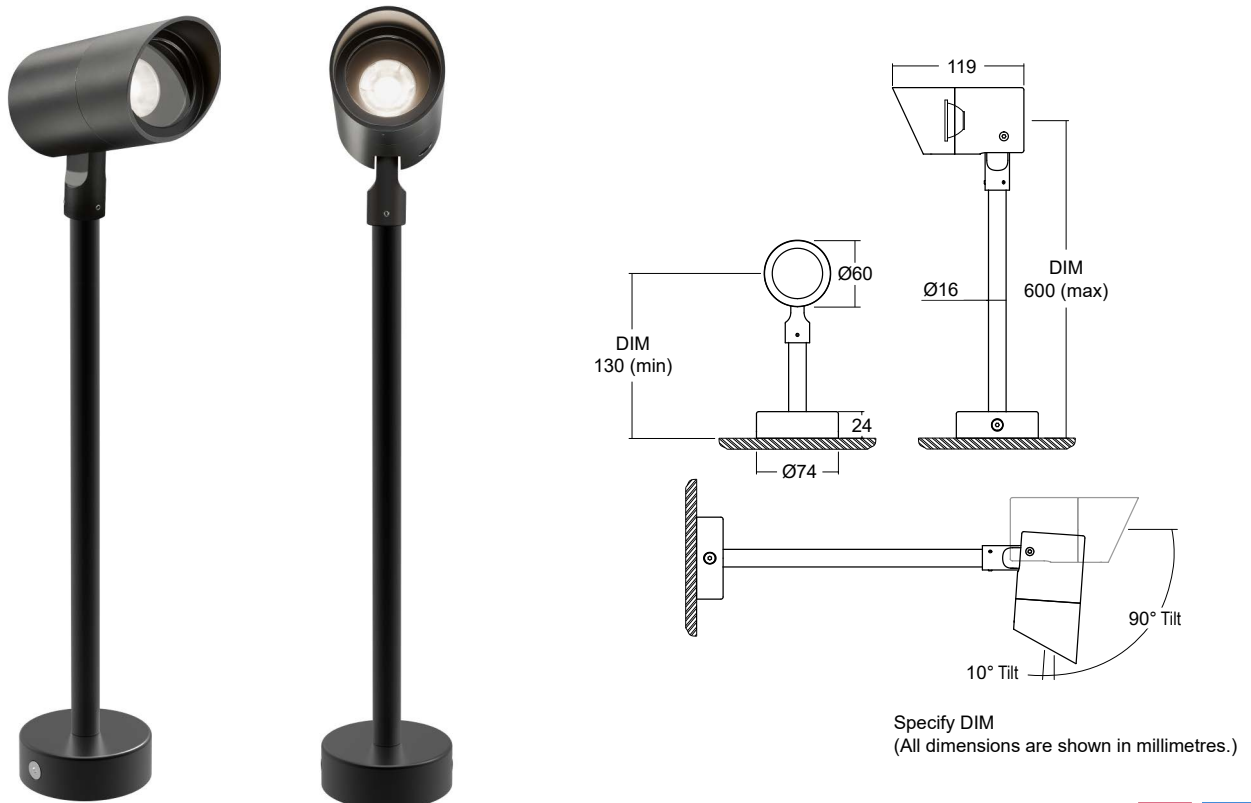
High Power Surface Mounted Adjustable Exterior LED Spotlight

Data sheet - Page 3

**/GSA** Adjustable ground spike with lockable tilt adjustment, for in ground applications. It also has a height adjustment of 490mm to 695mm.



**/SMBEX** Surface mount base with lockable tilt adjustment has a customisable arm length. It can be specified between 130mm and 600mm to the centre of the fitting. Suitable for vertical and horizontal mounting.



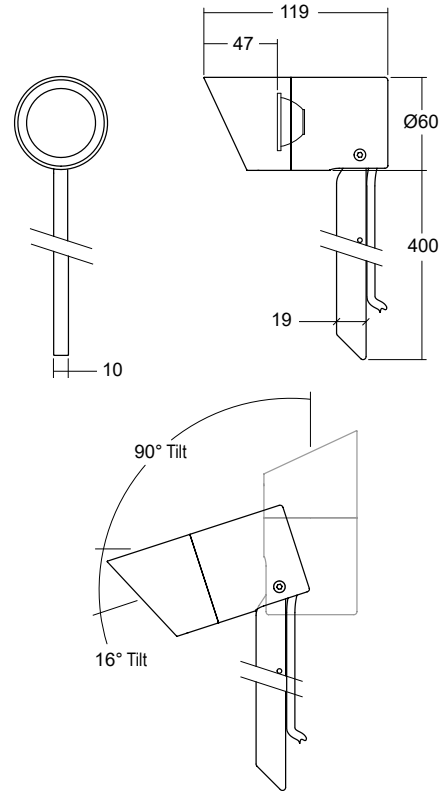
# LD10238



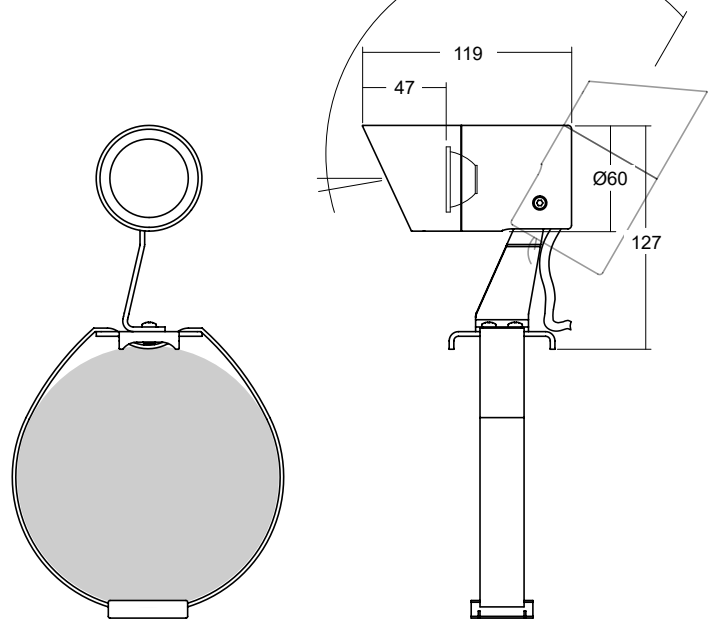
High Power Surface Mounted Adjustable Exterior LED Spotlight

Data sheet - Page 4

**/GS** Ground spike for in ground applications. Lockable tilt adjustment.



**/TS** Tree strap accessory is manufactured from a woven nylon webbing, covered with a recycled rubber coating which allows it to grip the trunk when tightened. It allows for minor rotational adjustment. A tilt adjustment of 10deg can be achieved towards the tree and is lockable via the socket head screw on the side.



Trunk measurements:  
1400mm circumference  
Ø450 maximum diameter



# LD10238

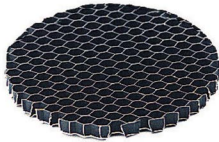
High Power Surface Mounted Adjustable Exterior LED Spotlight



Data sheet - Page 5

## Accessories

**/HL** Honeycombe louvre for reduced glare. Please note this is not suitable for use with the 30° and 50° deg beam angle due to the quality of the beam.



## Photometrics

Photometric files are included in the design pack which can be downloaded from the LD10238 product page on the website.

## Order Codes and Options

| Product code                    | LED colour           | Lens angle           | Finish               | Fixing method & accessory |
|---------------------------------|----------------------|----------------------|----------------------|---------------------------|
| LD10238 - 350<br>- 500<br>- 700 | <input type="text"/> | <input type="text"/> | <input type="text"/> | <input type="text"/>      |

Example: LD10238-700 / LW30 / NB / Black / SMB / HL

### Product codes with output options

|                         |             |
|-------------------------|-------------|
| 5W 350mA                | LD10238-350 |
| 7W 500mA (max for RGBW) | LD10238-500 |
| 10W 700mA               | LD10238-700 |

### LED colour options

|                            | Suffix |
|----------------------------|--------|
| Extra Warm White (2700K)   | /LW27  |
| Warm White (3000K)         | /LW30  |
| White (4000K) - on request | /LW40  |
| Cool White (5000K)         | /LW50  |
| RGBW (4000K White)         | /RGBW  |

### Beam / lens angle options

|                                |     |
|--------------------------------|-----|
| 10° narrow spot                | /NB |
| 30° medium spot                | /MB |
| 50° wide spot                  | /WB |
| 15° x 30° oval spreader beam   | /OB |
| RGBW LED comes with a 26° lens |     |

### Paint finish options

Silver / black / white (RAL 9016) / RAL finish  
 (please see our finishes guide for bronze and other wet spray finishes)

### Fixing methods and accessories

|   |              |
|---|--------------|
| Surface arm mounting  | /SAM         |
| Surface mount base  | /SMB         |
| Extendable ground spike                                       | /GSA         |
| Surface mount base with extended arm (specify DIM)            | /SMBEX (DIM) |
| Ground spike  | /GS          |
| Tree strap  | /TS          |
| Honeycomb louvre (not suitable for use with 30° and 50° lens) | /HL          |

### Use with 350mA, 500mA or 700mA constant current LED drivers

For our complete range of LED drivers please download the data sheet from the downloads section at [www.lightgraphix.co.uk](http://www.lightgraphix.co.uk)

